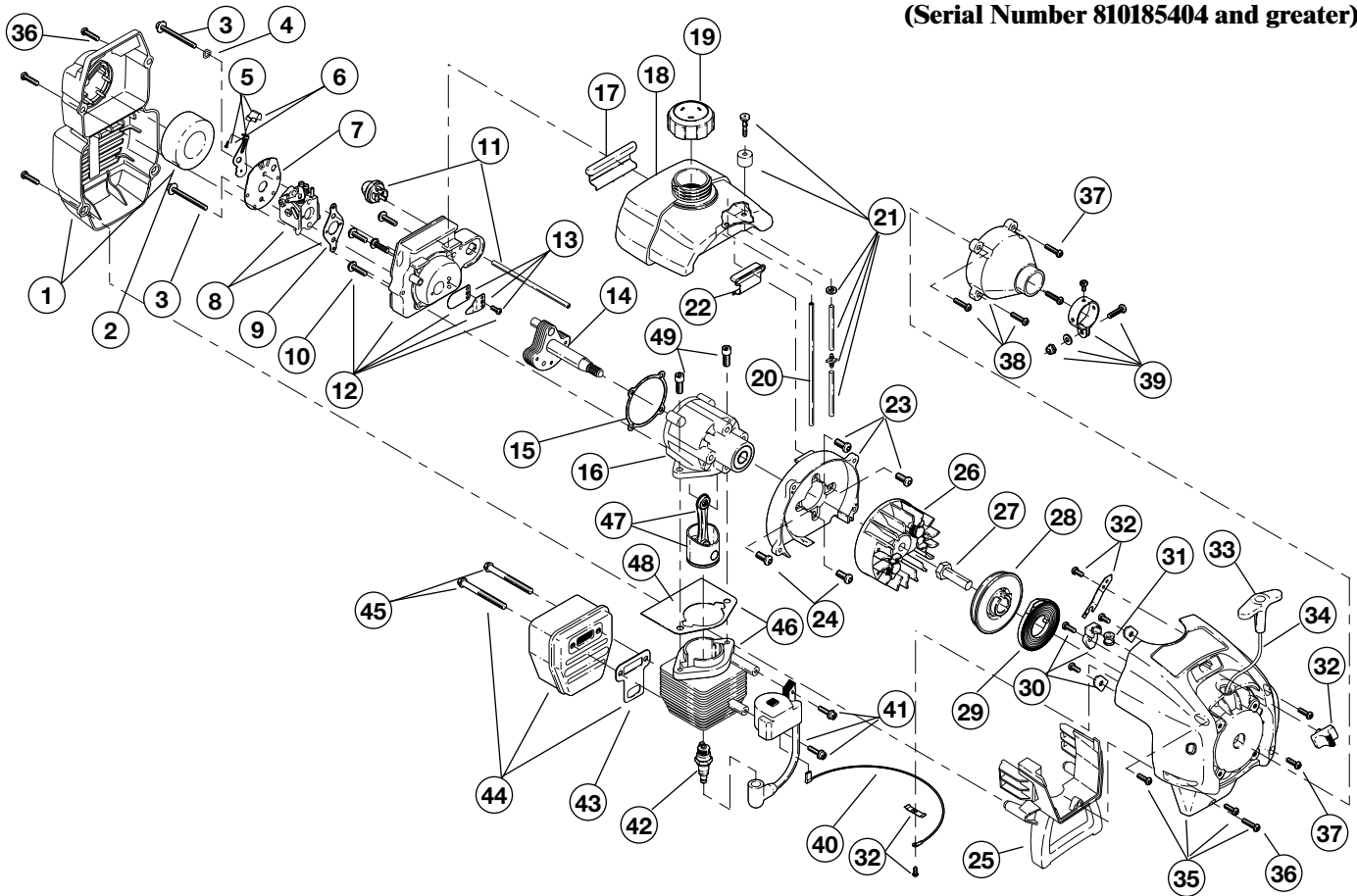


ENGINE PARTS - MODEL 766r

2-CYCLE GAS TRIMMER

(Serial Number 810185404 and greater)



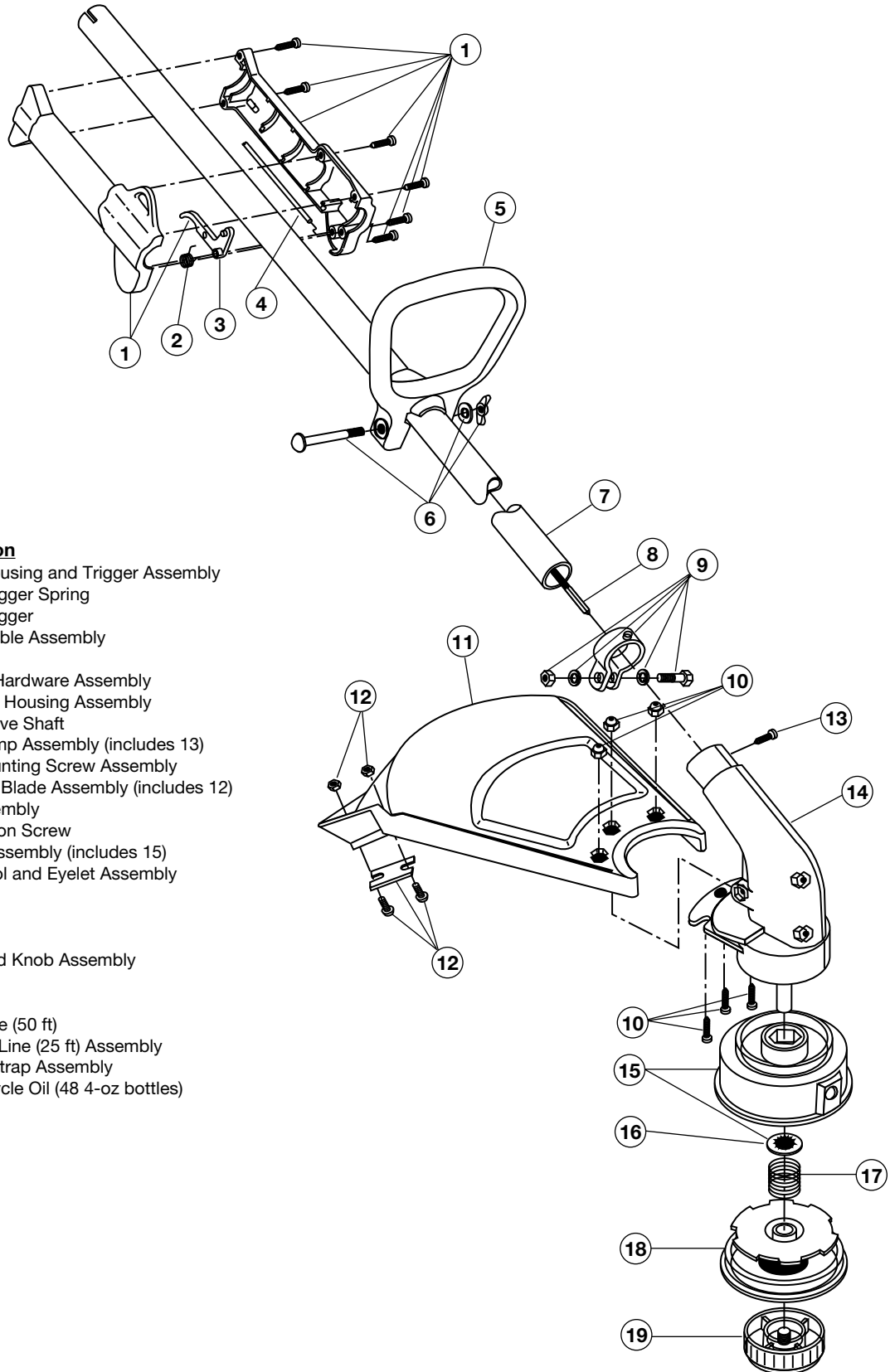
Item	Part No.	Description	Item	Part No.	Description
1	182059	Air Cleaner/ Muffler Cover Assembly (includes 2 & 36)	30	181441	Pulley Retainer Assembly
2	180350	Air Cleaner Filter	31	611061	Rope Guide
3	180351	Carburetor Mounting Screw Assembly	32	181442	Switch Assembly (includes 40)
4	180226	Wavey Washer	33	181079	Pull Handle
5	182061	Choke Lever Assembly (includes 6)	34	613103	Rope
6	182070	Choke Knob and Screw	35	181443	Starter Housing Assembly (includes 28-35 & 40)
7	182060	Choke Lever and Plate (includes 5)	36	181862	Housing Screw
8	182062	Carburetor Assembly w/Limiter Caps (includes 9 & 21)	37	181345	Cover Screw
9	610675	Carburetor Gasket	38	180098	Clutch Cover Assembly
10	181860	Carb Mount Screw	39	153597	Upper Clamp Assembly
11	181558	Primer and Hose Assembly	40	180036	Wire Lead
12	180354	Carb Mount Assembly (includes 15)	41	181937	Module Assembly
13	684451	Reed Assembly	42	610311	Spark Plug
14	181866	Power Shaft Assembly	43	182065	Exhaust Gasket
15	612115	Carburetor Mount Gasket	44	182066	Muffler Assembly (includes 43 & 45)
16	181865	Crank Case Service Assembly (includes 10, 14 & 24)	45	147575	Muffler Mounting Bolt Assembly
17	612134	Rear Mounting Pad	46	181622	Cylinder Assembly (includes 48 & 49)
18	181438	Fuel Tank Assembly (includes 19-21)	47	684449	Piston and Rod Assembly
19	181559	Fuel Cap Assembly	48	610674	Cylinder Gasket
20	181168	Fuel Return Line	49	181870	Cylinder Bolt
21	682039	Fuel Line Assembly	*	182067	Engine Gasket Kit
22	145308	Front Mounting Pad	*	180602	O.E.M. Carburetor Repair Kit (Walbro)
23	153520	Shroud Assembly	*	180090	O.E.M. Carburetor Repair Kit (Zama)
24	181861	Shroud Screw	*	181069	Gasket Diaphragm Repair Kit (Walbro)
25	182064	Shroud Extension and Stand	*	180091	Gasket Diaphragm Repair Kit (Zama)
26	181867	Flywheel Assembly	*	180530	Piston Ring
27	610303	Square Drive Nut	*	181863	Short Block Assembly (includes 10, 14, 16, 24, 42, 46-49)
28	181597	Recoil Pulley Assembly	*	181501	Starter Housing Screw Set
29	613102	Recoil Spring	*	610309	Crankcase Seal
			*	180030	Spark Arrestor Kit

* not shown

BOOM AND TRIMMER PARTS - MODEL 766r

2-CYCLE GAS TRIMMER

(Serial Number 810185404 and greater)



Item	Part No.	Description
1	181557	Throttle Housing and Trigger Assembly
2	610314	Throttle Trigger Spring
3	181556	Throttle Trigger
4	182068	Throttle Cable Assembly
5	145819	D-Handle
6	181587	D-Handle Hardware Assembly
7	181590	Drive Shaft Housing Assembly
8	682064	Flexible Drive Shaft
9	153597	Lower Clamp Assembly (includes 13)
10	180547	Guard Mounting Screw Assembly
11	180548	Guard and Blade Assembly (includes 12)
12	180553	Blade Assembly
13	145569	Anti-Rotation Screw
14	180549	Gearbox Assembly (includes 15)
15	153619	Outer Spool and Eyelet Assembly
16	610660	Retainer
17	610317	Spring
18	610318	Inner Reel
19	153066	Bump Head Knob Assembly

Optional Accessories

- * 610375 Cutting Line (50 ft)
- * 153577 Spool and Line (25 ft) Assembly
- * 682075 Shoulder Strap Assembly
- * 147541 Ryobi 2-Cycle Oil (48 4-oz bottles)
- * not shown